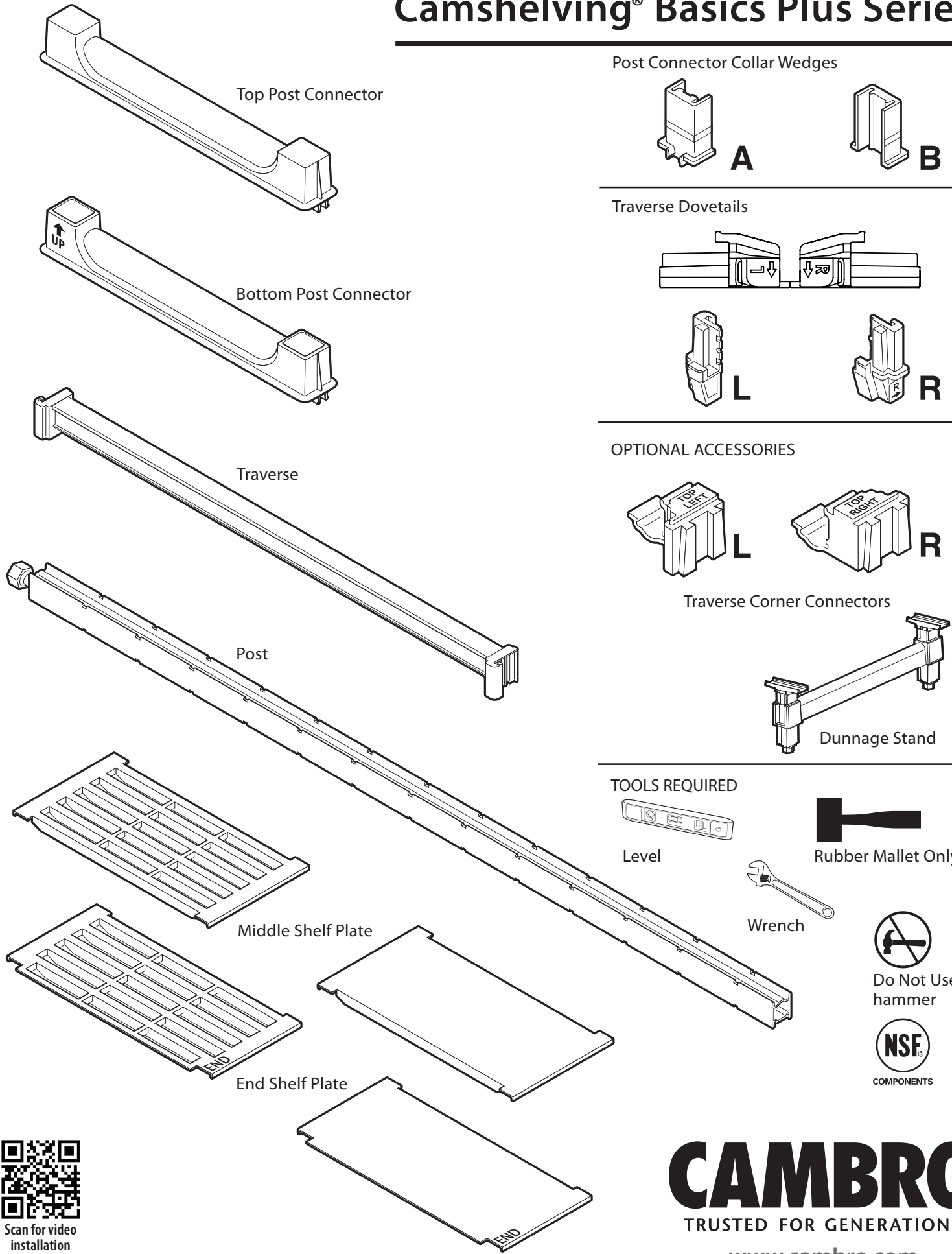
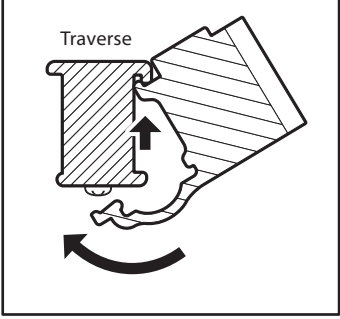
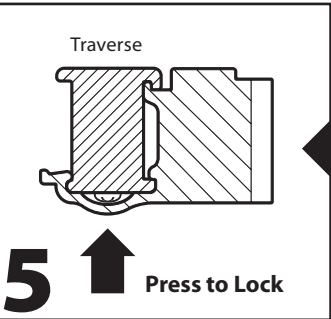
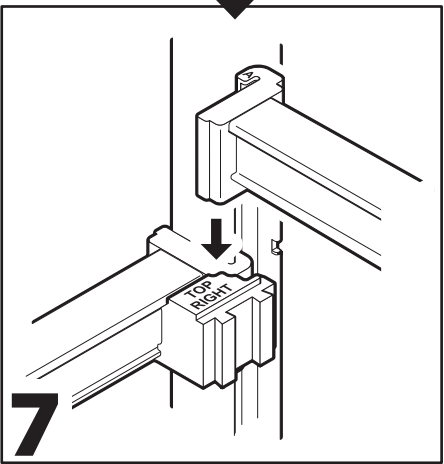
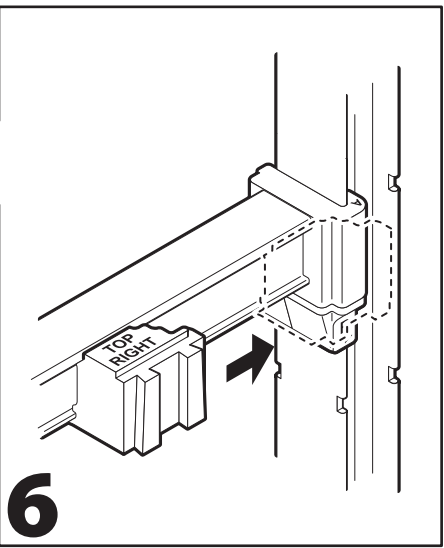
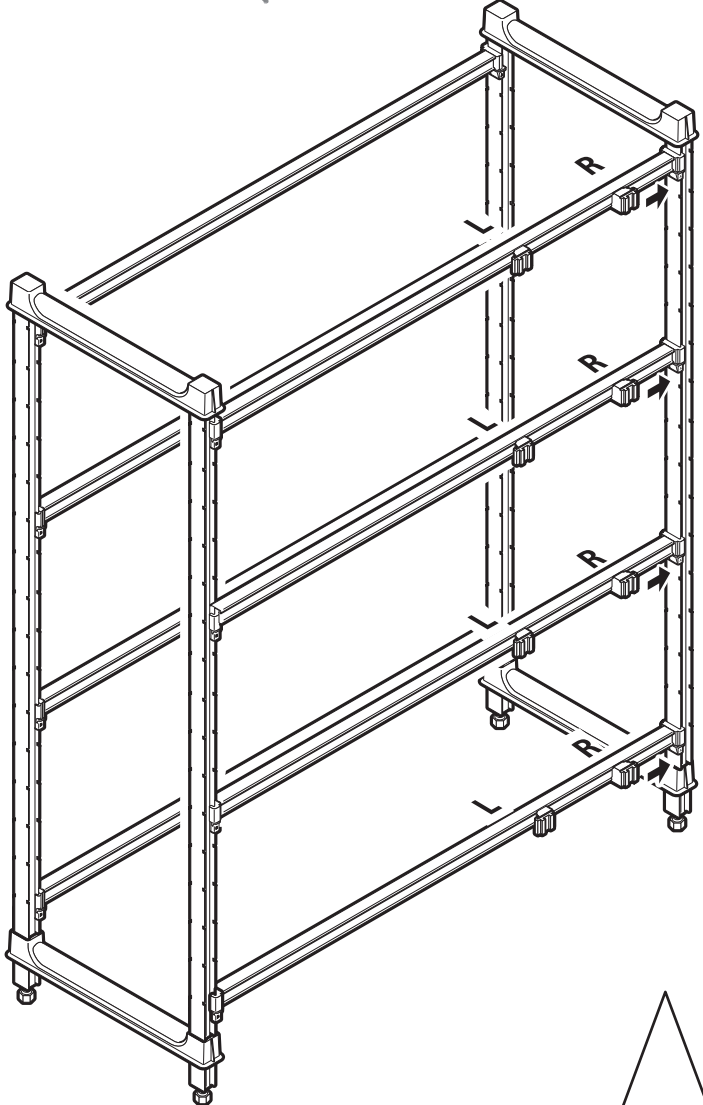


Camshelving® Basics Plus Series



CAMBRO

CAMBRO U.S.A.
TEL: 1(714) 848-1555
FAX: 1(714) 230-4375
shelving@cambro.com

CAMBRO EUROPEAN LOGISTICS
TEL: (49) 7022 90 100 0
FAX: (49) 7022 90 100 19
cambroeurope@cambro.com

CAMBRO UK
TEL: 0800 587 0057 Toll Free
FAX: 0845 280 3411
cambrouk@cambro.com

CAMBRO - OZAY
Telefon: (90) 212 279 2699
FAX: (90) 212 279 2698
cambroturkey@cambro.com

UMBCS1305 REV D

D111706

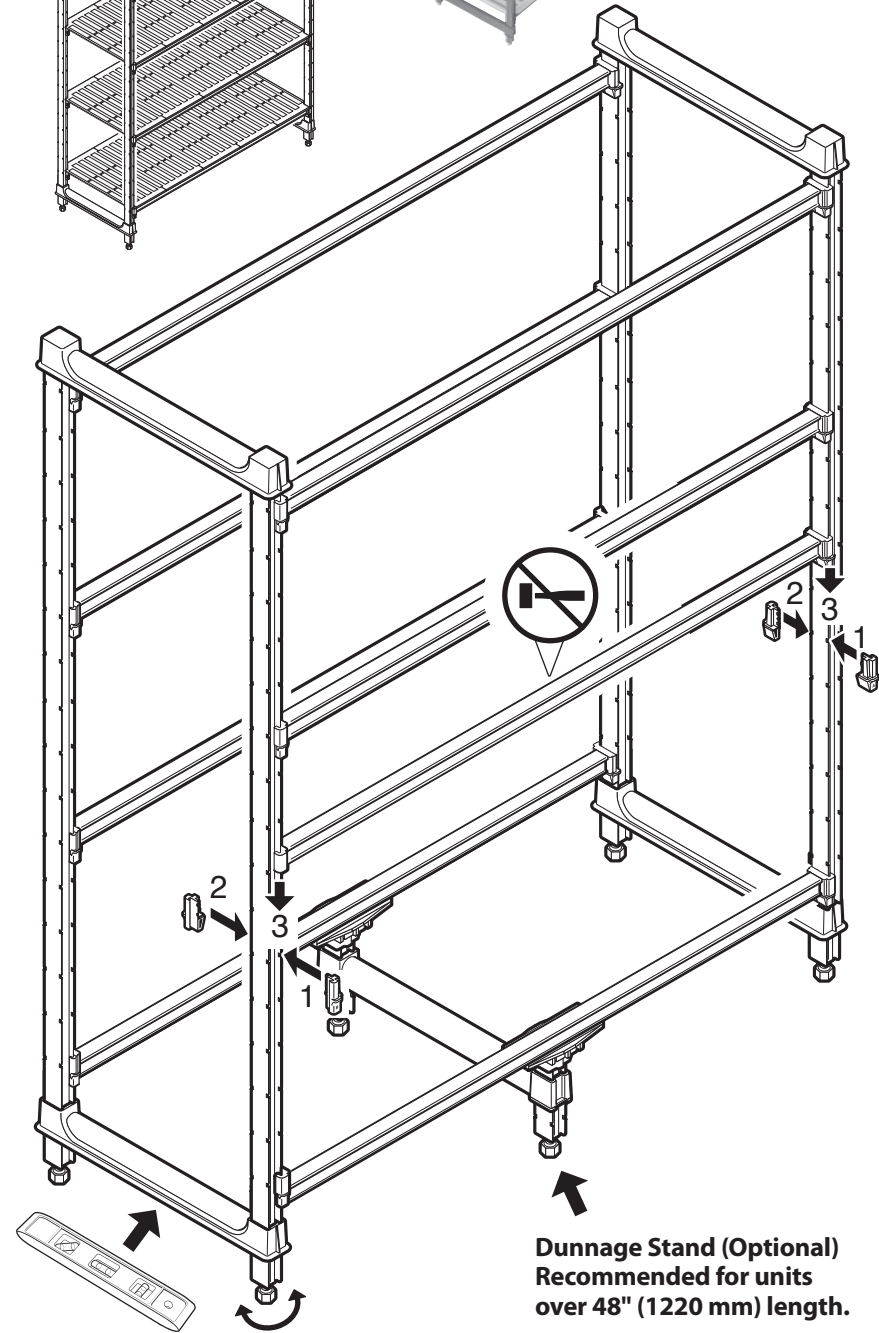
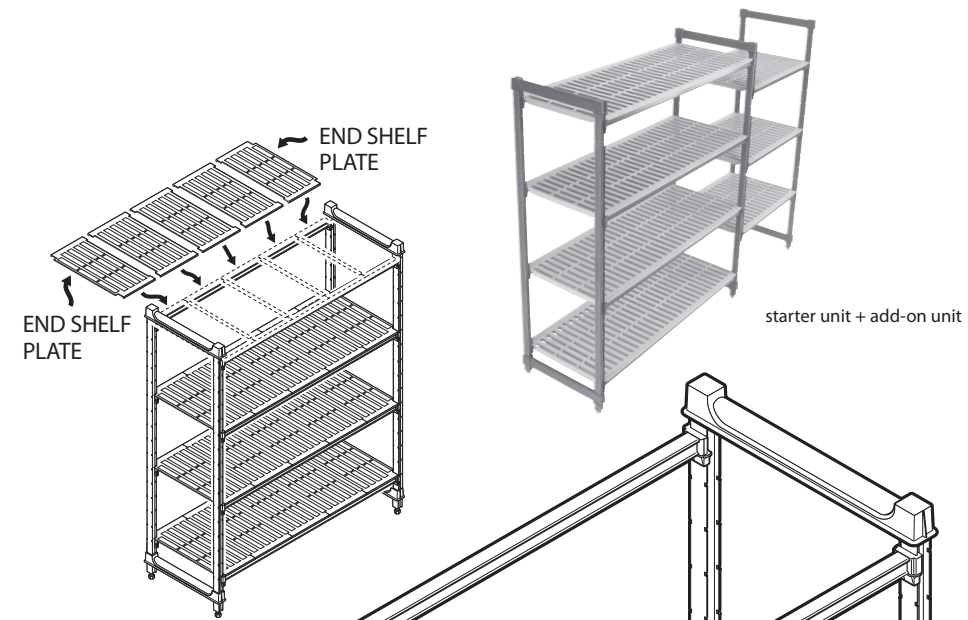
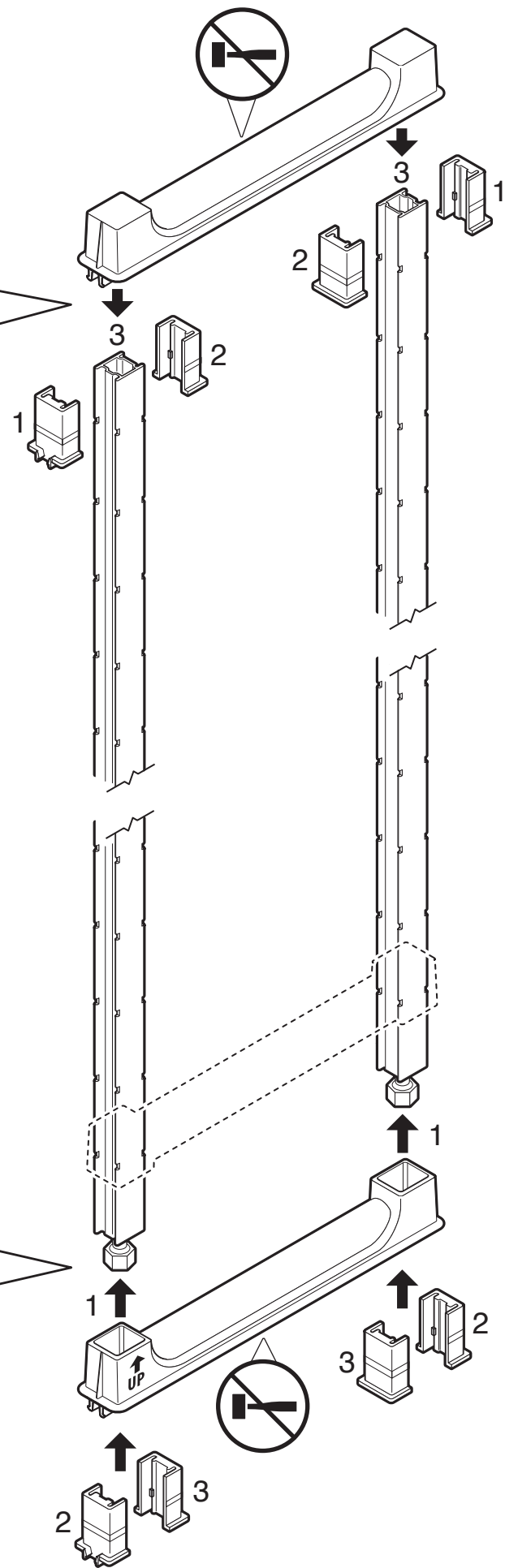
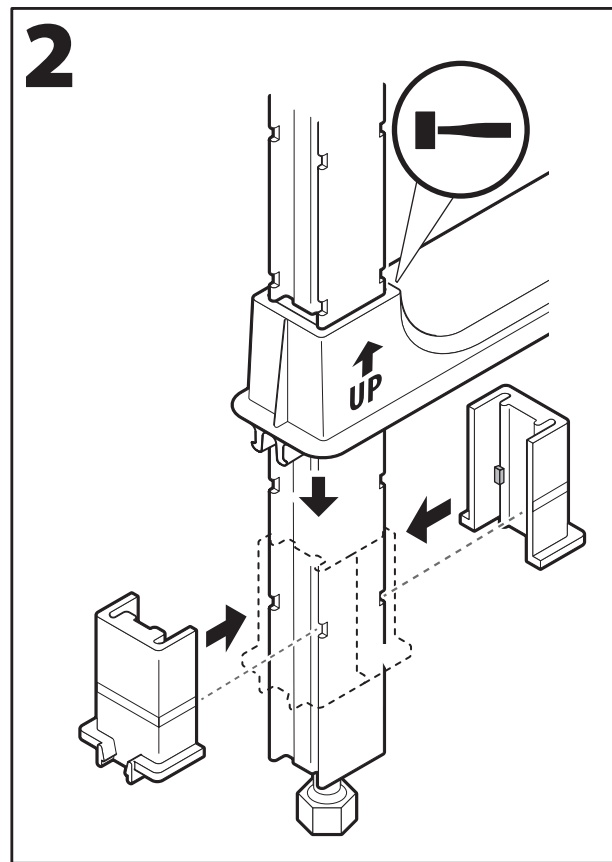
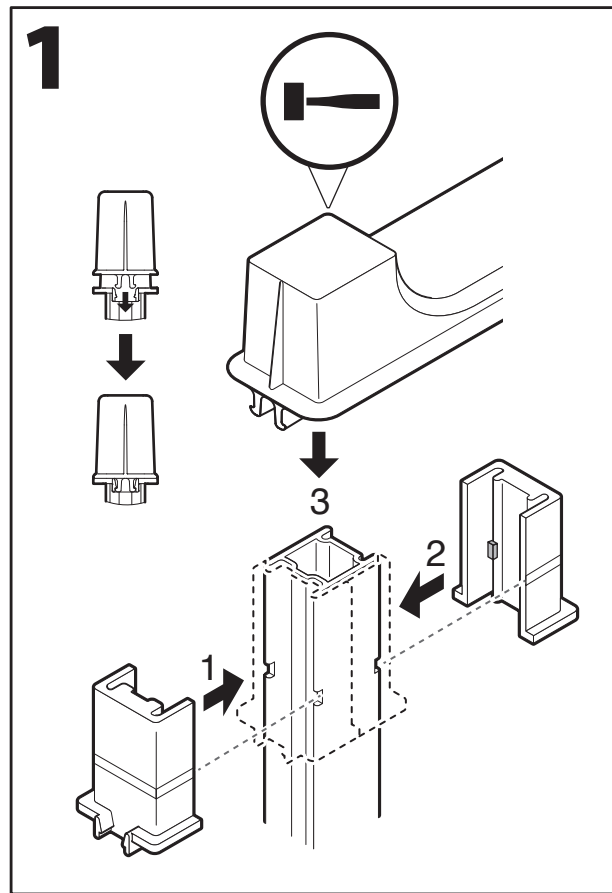


Scan for video installation

CAMBRO

TRUSTED FOR GENERATIONS™

www.cambro.com



Prior to loading, adjust all of the leveling feet so the unit sits flat on the floor surface.

