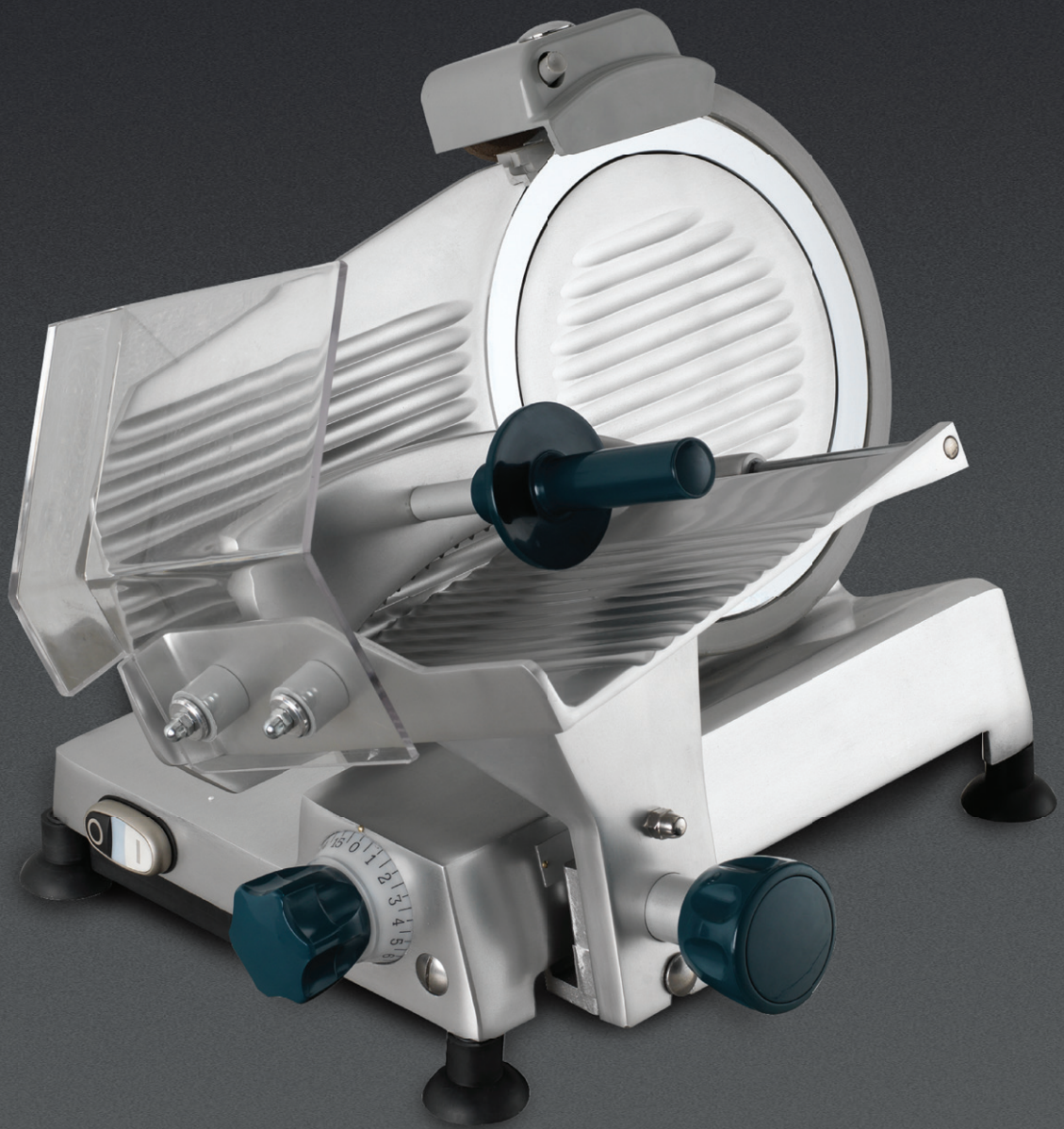




FOOD PREPARATION

**GRAVITY FEED SLICERS**



## GRAVITY FEED SLICERS FOR FAST EFFICIENT SLICING

Hobart slicers are manufactured to the highest possible standards and are perfect for commercial use in kitchens, butchers, grocery shops, delicatessens and food retail outlets. Perfect for slicing fresh and cooked meats, cheese and salad items. Hobart slicers comply with all the current CE legislation and safety requirements.

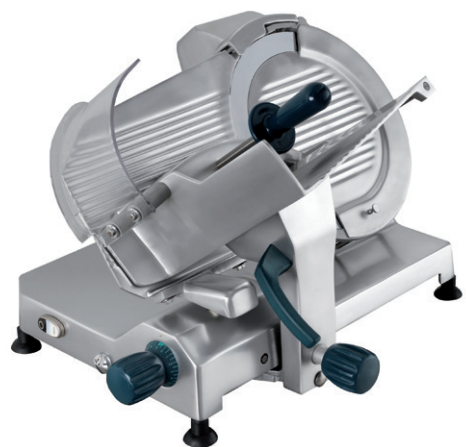
### SL250-10 & SL300-10

- › Detachable carriage and removable blade (tool supplied) makes cleaning easy
- › Precisely balanced for effortless slicing
- › Blade ring guard for safety when blade is removed
- › Interlocked carriage and gauge plate for safety
- › Built-in, two stone sharpener, easy to keep the blade sharp
- › Smooth anodised aluminium body for hygiene
- › Indicator light for safety
- › Slices food up to 20mm thick
- › Fully CE marked
- › Steel blade

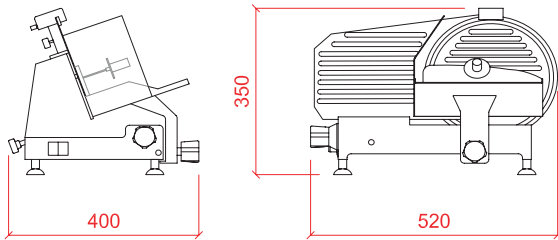


### SL350-10

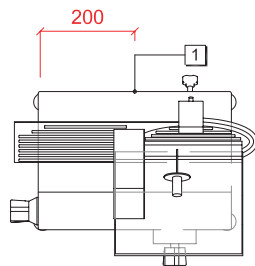
- › Detachable carriage and removable blade (tool supplied) makes cleaning easy
- › Heavy duty construction for commercial use
- › Precisely balanced for effortless slicing
- › Blade ring guard for safety when blade is removed
- › Interlocked carriage and gauge plate for safety
- › Built-in, two stone sharpener, easy to keep the blade sharp
- › Smooth anodised aluminium body for hygiene
- › Indicator light for safety
- › Slices food up to 20mm thick
- › Fully CE marked



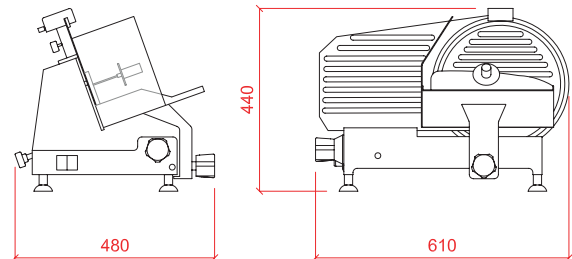
**SL250-10**



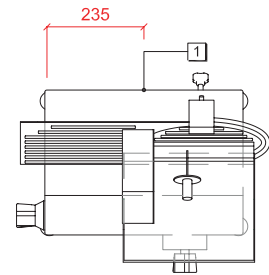
1 - CABLE LOCATION



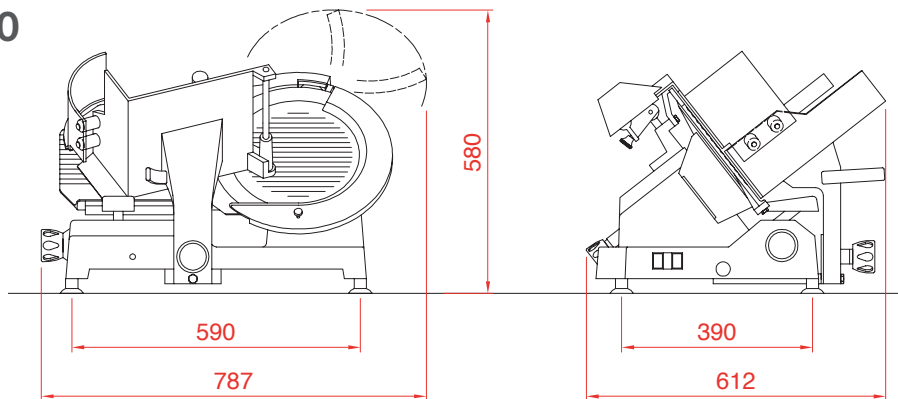
**SL300-10**



1 - CABLE LOCATION



**SL350-10**



Model	SL250-10	SL300-10	SL350-10
<b>Voltage</b>	230/50/1	230/50/1	230/50/1
<b>Rating</b>	0.15 kW	0.15 kW	0.35 kW
<b>Drive</b>	Poly V Belt	Poly V Belt	Poly V Belt
<b>Blade</b>	250mm	300mm	350mm
<b>Blade Speed</b>	290 r.p.m	310 r.p.m	220 r.p.m
<b>Cutting (round cut)</b>	250mm	230mm	250mm
<b>Blade Sharpener</b>	Intergrated sharpening and deburring system	Intergrated sharpening and deburring system	2 stone - sharpener and hone
<b>Cable</b>	1 metre with 13 amp plug	1 metre with 13 amp plug	1 metre with 13 amp plug
<b>Net Weight</b>	13kg	19kg	50kg
<b>Gross Weight</b>	25kg	30kg	56kg

HEAD OFFICE | Hobart UK

Southgate Way | Orton Southgate | Peterborough | PE2 6GN

Phone: 0844 888 7777

Internet: [www.hobartuk.com](http://www.hobartuk.com)

